

Wheel Loader

JING 757K

Tier 2



JIN  ONG 晋工

JG757K

Wheel Loader

JINGONG 晋工

Specifications

Operating weight: 17,300kg

Operating weight includes the work equipment stipulated by manufacturer, the unloaded attachments, driver (75kg), full-filled fuel tank, full-filled radiator, and all fluids (including the hydraulic oil, drive oil, engine oil, and engine coolant) added to the set level stipulated by manufacturer.

Bucket capacity: 2.7-4.5m³

Engine

Description

Weichai power low-rpm engine, China II emission high torque at low rpm, more powerful, lower fuel consumption.

Standard 93 dust rate, enabling the four matching parts to drop their rate of early wear by 90% or higher;

Intake heater grille effectively solve the difficulty to start up at low temperature.

Hyperboloid fan makes the heat dissipation more effective and the noise lower.

Emission grade	Tier 2
Manufacturer	Weichai
Model	WD10G220E23
Total power of engine (SAE J1995 / ISO 14396)	162kW(220hp) @2000rpm
Max. torque	890 N·m
Displacement	9.726L
Number of cylinders	6
Intake type	Turbocharger

Fluid level

Fuel	290 L
Engine oil	23 L
Antifreeze	60 L
Hydraulic oil	290 L
Drive oil	53 L
Drive axle / single	44 L

Drive parts

Description

Highly efficient torque converter and highly reliable low-rpm transmission developed by Jingong Jingong ZL50L low-rpm planetary drive transmission.

Single-stage four-element dual-turbo hydraulic torque converter. Heavy-duty type drive axle developed by Jingong.

Power - train type	Drive axle Power gear-shifting
Torque converter	Single-stage Four elements
Max. traveling speed, forward	36 km/h
Max. traveling speed, backward	16 km/h
Gears, forward	2
Gears, backward	1

Drive axle

Type	Jingong 50H axle
Swinging angle	±10°

Hydraulic system

Description

This hydraulic system is of dual-pump confluence and steering - prevailing type, featuring the high efficiency and low fuel consumption.

Hydraulic pump is of high-pressure gear pump, featuring the excellent performance and higher reliability.

Hydraulic elements are of high standard and new process type, making its system more reliable.

Work pump type	Gear pump
System pressure	16 MPa
Lifting duration	6.3 s
Unloading duration	1.4 s
Lowering duration	3.5 s
Sum of three durations	11.2 s
Control type	Mechanical operation

Brake

Description

The service brake is of Air-against-oil caliper disc brake type and the parking brake is of cable-control type clamp brake type.

Type of service brake Caliper disc brake

Type of service brake Air - against - oil

Type of parking brake Clamp type brake

Type of parking brake Cable control

Control

Description

Steering system: articulated steering by steering wheel.

System supply: full-hydraulic coaxial flow-amplification steering system, flexible and easy steering and reliable performance.

Steering cylinder: two action cylinders.

Steering type Steering wheel

Steering pressure 16 MPa

Number of cylinders 2

Diameter of cylinder bore 100 mm

Diameter of piston rod 55 mm

Travel of cylinder 324 mm

Displacement of pump 80 ml/r

Steering angle $\pm 35^\circ$

Min. steering (outside of tire) 6,543 mm

Cab

Description

Meter: all important information is located in the middle instruments and inside the vision of operators.

The large space panoramic cab is equipped with adjustable steering, pilot control, dust-proof, shock-absorbing and noise reducing, which improves the comfort and safety of the driver.

The automobile electrophoretic primer treatment process is used for the housing of whole machine, which can effectively prevent rust.

The interior adopts composite material, standard visor curtain, silk-loop mattress, artistic and natural.

The cab adopts four-point elastic suspension with two-way shock absorption.

Sound-absorbing materials are used to reduce noise, and cushion insulation to reduce indoor reverberation.

Noise & Air conditioner

Cab noise In line with ISO 6396-2008 / EN ISO 3744-1995 83 dB(A)-- Travel mode

Cab noise In line with ISO 6396-2008 / EN ISO 3744-1995 84 dB(A)--Stationary work cycle mode

Outdoor noise In line with ISO 6395-2008 110 dB(A)--Travel mode

Outdoor noise In line with ISO 6395-2008 111 dB(A)--Stationary work cycle mode

Heating capacity of A/C 5 kW (7.8 hp)

Refrigerating capacity of A/C 4.7 kW (8 hp)

Electronic system

Description

GPS (Global Positioning System)

Brand-new intelligent instrument system is able to monitor the real-time work conditions of complete vehicle.

Updated smart control system with independent intellectual property has the remote diagnosis system which could provide the fast and accurate solution to customer in case of failure

Reversing alarm could make the driving safer.

Voltage 24 V

Battery 2 x 12 V

Battery capacity 2 x 120 Ah

Capacity of cold startup 850 A

Reserve capacity 230 min

Grade of AC generator 1960 W / 70 A

Output of starter motor 7.5 kW

Performance parameters

Description

Tilting load is calculated at the condition with bucket capacity at 3.0 m³ and operating weight at 17300kg.

Limit tipping load GB/T10175.1 12,000 kg

Rated operating load GB/T10175.1 10,500 kg

Breakout force >170 kN

A Hinge pin height at Max. height 4,160 mm

B Dumping height 3,100 mm

C Dumping height at max. height 1,220 mm

D Breakout depth 35 mm

S1 Max. tilt angle at ground level 45°

S2 Max. tilt angle at carry 48°

S3 Max. tilt angle at max. height 53°

S4 Dumping angle 45°

Dimensions

E Ground clearance 408 mm

G Wheelbase 3230 mm

H Cab height 3410 mm

J Wheel tread 2250 mm

K Outside width of tire 2850 mm

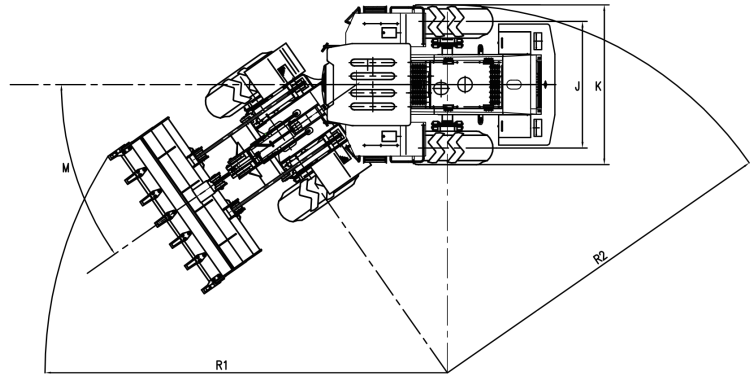
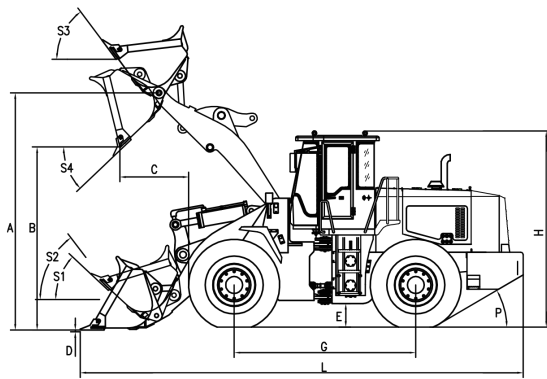
L Overall length (with the attachments) 7880 mm

M Steering angle, at any side 35°

P Departure angle 30°

R1 Min. turning radius with bucket at transporting position 7,020 mm

R2 Turning radius, at outside of tire 6,543mm



Tire

Proper tires for your machine will become the key competitive edge of excellent performance. Through closely and jointly development and cooperation with well-known supplier which is carefully selected, Jingong could provide the full-series tires specially customized for wheeled loader.

Size	Application	Mode	Dimensions	PR/*	Tube type	Width	Overall diameter	Depth of tread	Loading capacity, 50km/h/10km/h
L2	<ul style="list-style-type: none"> •At site with good traction For example, on slope with smooth gradeability •Work at soft and muddy site without sharp rocks. •In all loading/transporting conditions 		23.5-25	12	TL	595mm	1,615mm	29.5mm	3,650/6,150kg
			23.5-25	16	TL	595mm	1,615mm	29.5mm	6,150/9,500kg
L3	<ul style="list-style-type: none"> •Work in sandy conditions • In all types of loading/carrying operations •Unlike L2, L3 tread is narrow and less self-cleaning effect. 		23.5-25	18	TL	595mm	1,615mm	35mm	6,150/9,500kg
			23.5-25	20	TL	595mm	1,615mm	35mm	7,300/10,900kg
			23.5-25	24	TL	595mm	1,615mm	35mm	8,000/13,200kg
			23.5R25	*	TL	600mm	1,617mm	36mm	7,100/12,150kg
			23.5R25	**	TL	600mm	1,617mm	36mm	9,250/14,500kg
L4	<ul style="list-style-type: none"> •Invasive material It is needed that the good anti-cut protection. For example: On quarry or mining sites. 		23.5R25	*	TL	600mm	1,704mm	78mm	12,150kg,10km/h
			23.5R25	**	TL	600mm	1,704mm	78mm	14,500kg,10km/h

Note: radial tire has its load-bearing capacity represented with stars *. The more stars means the radial tire has more load-bearing capacity. The special radial tire dimensions listed in table 2 starts (**) means the max. load-bearing capacity of radial tire.

Parameters of work equipments

Item	Rock bucket	Coal bucket	Jingong Side-unloading bucket	Heavy duty Side-unloading bucket	High-position unloading			Unit
					Regular bucket	Coal bucket	Enlarged bucket	
Bucket capacity	2.7	3.6	2.3	2.4	3	3.6	4.5	m ³
Rated load	5000	5000	4300	4300	5000	5000	4500	kg
Complete vehicle weight	17500	17400	18500	20300	18000	18200	18600	kg
Dumping height	3220	3050	3000	2900	3520	3390	3300	mm
Dumping distance	1190	1280	1260	1660	1430	1490	1575	mm
Overall length	7765	7900	7930	8430	8320	8500	8515	mm
Min. steering radius (edge of bucket)	7035	7100	7120	7460	7380	7520	7530	mm

The product structures and parameters may alter with the technology updating, without any notice in advance. If sample differs from the actual product, the latter prevails.

Standard configurations

Engine

Weichai WD10G220, Tier 2
Engine output power 162KW (220hp), six cylinders, water cooling, four strokes
Pre-filtration of oil-water separator
Fuel filter
Direct-drive fan

Drive

Jingong ZL50L low-speed type planetary transmission with power gear-shifting
Startup function, forward two gears, neutral gear and backward one gear
Transmission oil level detector
Secondary oil filter, oil bar
Remote pressure switch for diagnosis

Drive axle

Feicheng Yunyu 50 Axle
Air-against-oil brake system
Auxiliary parking brake

Hydraulic system

Cable control
Dual-pump confluence hydraulic system

Steering system

Full-hydraulic coaxial flow-amplification steering system and steering – prevailing

Tire

23.5-25 / L3 diagonal tire
Regular mudguard

Frame assembly

Spacious intermediate articulation
Joint bearing
Articulated locking lever
Draw bar

Electrical system

Two headlights, low beam/ high beam
On the top of cab, there are two headlights.
Battery, maintenance-free
24 V power socket
Electric horn
Wiper of windshield
Radio / player with USB port
Reversing warning lamp

Instrument

Engine coolant temperature
Transmission oil temperature
Fuel level meter
Timer
Voltage
Brake pressure
Charging of battery
Steering lamp
Transmission oil pressure alarm
High-beam indicator

Cab

Seat
Dual-direction adjustable steering column
Large- arc window
Rubber cushion
Two sides of rearview mirror
Heater
One cup holder
Sunvisor

Others

On-board tools and attachments

Optional configurations

Engine

Cummins engine
Oil-bathed dual-layer air filter

Transmissions

ZF transmission

Hydraulic system

Pilot controls

Axles and tires

Meritor axles
Tire protective chains

Cab

Luxury seat

Electrical system

Single cold type / heating/cooling A/C

Attachments

Timber - holding type, grass-holding type

Others

Automatic central lubrication
Automatic weighing device
Sub blade

WIN WITH RELIABILITY



子江集团 • 福建晋工机械有限公司
Fujian Jingong Machinery Co., Ltd.

地址: 中国福建省晋江市安海前埔工业区
ADD: Anhai Qianpu Industrial Zone, Jinjiang City Fujian Province China
服务电话/Service Phone: 400-0922-789

邮编/Postcode: 362261

网址/Website: <http://www.jingongglobal.com>

邮箱/E-mail: overseas@china-jingong.com

The contents and specifications of this brochure are subject to change without prior notice.
The pictures in this brochure may differ from the actual machines sold.