

Wheel Loader

# JINGONG 737K

Tier 2



**JINGONG** 晋工

# JG737K

Wheel Loader

JINGONG 晋工

## Specifications

**Operating weight:** 10,300kg

Operating weight includes the work equipment stipulated by manufacturer, the unloaded attachments, driver (75kg), full-filled fuel tank, full-filled radiator, and all fluids (including the hydraulic oil, drive oil, engine oil, and engine coolant) added to the set level stipulated by manufacturer.

**Bucket capacity:** 1.3-2.5m<sup>3</sup>

### Engine

#### Description

International famous brand Weichai WP6G125 engine with large torque reserve, stronger power and lower fuel consumption. Six cylinders, in-line, water-cooled, four-stroke, direct injection.

Emission grade	Tier 2
Manufacturer	Weichai
Model	WP6G125E23
Total power of engine (SAE J1995 / ISO 14396)	92kW(125hp) @2300rpm
Max. torque	500 N·m
Displacement	6.75L
Number of cylinders	6
Intake type	Turbocharger

### Fluid level

Fuel	180 L
Engine oil	14 L
Antifreeze	47 L
Hydraulic oil	180 L
Drive oil	38 L
Drive axle / single	40 L

### Drive parts

#### Description

Axis-fixed drive transmission developed by Jingong has four forward gears and two backward gears, featuring the reliable quality and high efficiency. Three-element single turbo hydraulic torque converter.

Power - train type	Drive axle Power gear-shifting
Torque converter	Single- stage Three elements
Max. traveling speed, forward	36 km/h
Max. traveling speed, backward	29 km/h
Gears, forward	4
Gears, backward	2

### Drive axle

Type	Feicheng Yunyu 30 Axle
Swinging angle	±10°

### Hydraulic system

#### Description

This hydraulic system is of dual-pump confluence and steering - prevailing type, featuring the high efficiency and low fuel consumption.

Hydraulic pump is of high-pressure gear pump, featuring the excellent performance and higher reliability.

Hydraulic elements are of high standard and new process type, making its system more reliable.

Work pump type	Gear pump
System pressure	16 MPa
Lifting duration	5.1 s
Unloading duration	1.4 s
Lowering duration	2.6 s
Sum of three durations	<9.1 s
Control type	Mechanical operation

## Brake

### Description

The service brake is of Air-against-oil caliper disc brake type and the parking brake is of cable-control type clamp brake type.

Type of service brake	Caliper disc brake
-----------------------	--------------------

Type of service brake	Air - against - oil
-----------------------	---------------------

Type of parking brake	Clamp type brake
-----------------------	------------------

Type of parking brake	Cable control
-----------------------	---------------

## Control

### Description

Steering system: articulated steering by steering wheel.

System supply: full-hydraulic coaxial flow-amplification steering system, flexible and easy steering and reliable performance.

Steering cylinder: two action cylinders.

Steering type	Steering wheel
---------------	----------------

Steering pressure	12 MPa
-------------------	--------

Number of cylinders	2
---------------------	---

Diameter of cylinder bore	80 mm
---------------------------	-------

Diameter of piston rod	45 mm
------------------------	-------

Travel of cylinder	362 mm
--------------------	--------

Working pump	100 ml/r
--------------	----------

Steering angle	$\pm 35^\circ$
----------------	----------------

Min. steering (outside of tire)	5516 mm
---------------------------------	---------

## Cab

### Description

Brand-new designed cab is equipped with high-end, luxury seat, adjustable steering gear, finger-controlled gear-shifting switch and pilot control;

spacious panoramic cab is resistant to dust, shock or noise, make the driver safer and more comfortable to control.

Trim being of composite material; cab is equipped with sunvisor and wire-coiled carpet with elegant appearance.

Cab is equipped with four-point elastic suspension, absorbing shock in dual way.

Rear hood has beautiful modeling, with its side door and rear window able to open, featuring easy maintenance.

## Noise & Air conditioner

Cab noise In line with ISO 6396-2008 / EN ISO 3744-1995	83 dB(A)-- Travel mode
---	------------------------

Cab noise In line with ISO 6396-2008 / EN ISO 3744-1995	84 dB(A)--Stationary work cycle mode
---	--------------------------------------

Outdoor noise In line with ISO 6395-2008	110 dB(A)--Travel mode
--	------------------------

Outdoor noise In line with ISO 6395-2008	111 dB(A)--Stationary work cycle mode
--	---------------------------------------

Heating capacity of A/C	5 kW (7.8 hp)
-------------------------	---------------

Refrigerating capacity of A/C	4.7 kW (8 hp)
-------------------------------	---------------

## Electronic system

### Description

GPS (Global Positioning System)

Brand-new intelligent instrument system is able to monitor the real-time work conditions of complete vehicle.

Updated smart control system with independent intellectual property has the remote diagnosis system which could provide the fast and accurate solution to customer in case of failure

Reversing alarm could make the driving safer.

Voltage	24 V
---------	------

Battery	2 x 12 V
---------	----------

Battery capacity	2 x 120 Ah
------------------	------------

Capacity of cold startup	850 A
--------------------------	-------

Reserve capacity	230 min
------------------	---------

Grade of AC generator	1960 W / 70 A
-----------------------	---------------

Output of starter motor	7.5 kW
-------------------------	--------

## Performance parameters

### Description

Tilting load is calculated at the condition with bucket capacity at 3.0 m<sup>3</sup> and operating weight at 17300kg.

Tipping load-straight according to ISO 14397-1:2007	8600 kg
---	---------

Tipping load-full turn according to ISO 14397-1:2007	7377 kg
--	---------

Breakout force	>100 kn
----------------	---------

A Hinge pin height at Max. height	3683 mm
-----------------------------------	---------

B Dumping height	2850 mm
------------------	---------

C Dumping height at max. height	1000 mm
---------------------------------	---------

D Digging depth	35 mm
-----------------	-------

S1 Max. tilt angle at ground level	45°
------------------------------------	-----

S2 Max. tilt angle at carry	48°
-----------------------------	-----

S3 Max. tilt angle at max. height	65°
-----------------------------------	-----

S4 Dumping angle	46°
------------------	-----

## Dimensions

E Ground clearance	360 mm
--------------------	--------

G Wheelbase	2750 mm
-------------	---------

H Cab height	3200 mm
--------------	---------

J Wheel tread	1865 mm
---------------	---------

K Outside width of tire	2310 mm
-------------------------	---------

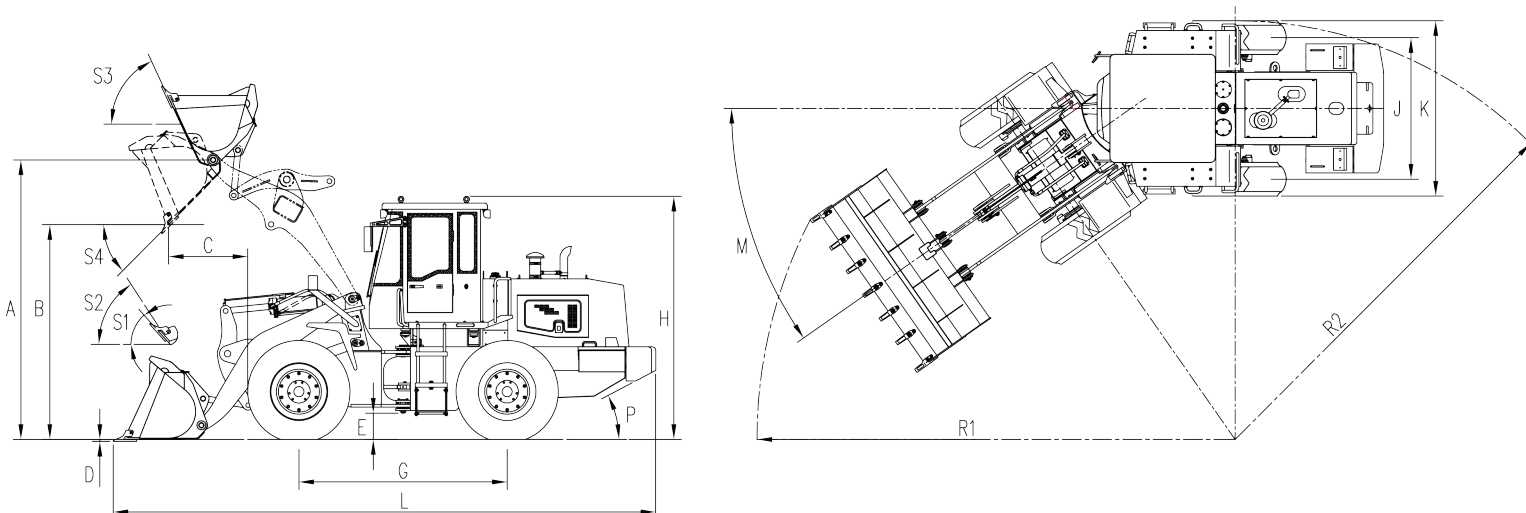
L Overall length (with the attachments)	7040 mm
---	---------

M Steering angle, at any side	35°
-------------------------------	-----

P Departure angle	32°
-------------------	-----

R1 Min. turning radius with bucket at transporting position	6040 mm
---	---------

R2 Turning radius, at outside of tire	5516mm
---------------------------------------	--------



## Tire

Proper tires for your machine will become the key competitive edge of excellent performance. Through closely and jointly development and cooperation with well-known supplier which is carefully selected, Jingong could provide the full-series tires specially customized for wheeled loader.

Size	Application	Mode	Dimensions	PR/*	Tube type	Width	Overall diameter	Loading capacity, 50km/h/10km/h
L2	<ul style="list-style-type: none"> <li>At site with good traction</li> <li>For example, on slope with smooth gradeability</li> <li>Work at soft and muddy site without sharp rocks.</li> <li>In all loading/transporting conditions</li> </ul>		17.5-25	8	TL	445mm	1,350mm	2800/4750kg
			17.5-25	12	TL	445mm	1,350mm	3650/6150kg
L3	<ul style="list-style-type: none"> <li>Work in sandy conditions</li> <li>In all types of loading/carrying operations</li> <li>Unlike L2, L3 tread is narrow and less self-cleaning effect.</li> </ul>		17.5-25	16	TL	445mm	1,350mm	4250/7300kg
			17.5-25	20	TL	445mm	1,350mm	5000/8250kg
			17.5R25	*	TL	445mm	1,350mm	4125/7100kg
			17.5R25	**	TL	445mm	1,350mm	5450/8500kg

Note: radial tire has its load-bearing capacity represented with stars \*. The more stars means the radial tire has more load-bearing capacity. The special radial tire dimensions listed in table 2 starts (\*\*) means the max. load-bearing capacity of radial tire.

## Parameters of work equipments

Item	Rock bucket	Coal bucket	High-position unloading			Unit
			Regular bucket	Coal bucket	Enlarged bucket	
Bucket capacity	1.3	2	1.7	2	2.5	m <sup>3</sup>
Rated load	3000	3000	3000	3000	3000	kg
Complete vehicle weight	10250	10320	10400	10440	10520	kg
Dumping height	2900	2775	3200	3125	3090	mm
Dumping distance	1010	1070	1080	1150	1400	mm
Overall length	6795	7150	7440	7550	7600	mm
Min. steering radius (edge of bucket)	5900	6080	6220	6260	6320	mm

The product structures and parameters may alter with the technology updating, without any notice in advance. If sample differs from the actual product, the latter prevails.

# Standard configurations

## Engine

Weichai WP6, Tier 2

Engine output power 92KW (125hp), six cylinders, water cooling, four strokes and direct injection.

Pre-filtration of oil-water separator

Fuel filter

Direct-drive fan

## Drive

Shantui Axis-fixed drive transmission

Startup function, forward four gears, neutral gear and backward two gears

Transmission oil level detector

Secondary oil filter, oil bar

Remote pressure switch for diagnosis

## Drive axle

Feicheng Yunyu 30 Axle

Air-against-oil brake system

Auxiliary parking brake

## Hydraulic system

Machinal control

## Steering system

Full-hydraulic coaxial flow-amplification steering system and steering – prevailing

## Tire

17.5-25 / L3 diagonal tire

Regular mudguard

## Frame assembly

Spacious intermediate articulation

Joint bearing

Articulated locking lever

Draw bar

## Electrical system

Two headlights, low beam/ high beam

On the top of cab, there are two headlights.

Battery, maintenance-free

24 V power socket

Electric horn

Wiper of windshield

Radio / player with USB port

Reversing warning lamp

## Instrument

Engine coolant temperature

Transmission oil temperature

Fuel level meter

Timer

Voltage

Brake pressure

Charging of battery

Steering lamp

Transmission oil pressure alarm

High-beam indicator

## Cab

Seat

Dual-direction adjustable steering column

Large- arc window

Rubber cushion

Two sides of rearview mirror

Heater

One cup holder

Sunvisor

## Others

On-board tools and attachments

# Optional configurations

## Engine

Cummins engine

Oil-bathed dual-layer air filter

## Hydraulic system

Pilot controls

## Axles and tires

Check the front tire specifications

Tire protective chains

## Cab

Luxury seat

## Electrical system

Single cold type / heating/cooling A/C

## Transmission

Hangzhou Advance(ZF technology)

## Attachments

Timber - holding type, grass-holding type

## Others

Automatic central lubrication

Automatic weighing device

Sub blade

# WIN WITH RELIABILITY



子江集团 • 福建晋工机械有限公司  
Fujian Jingong Machinery Co., Ltd.

地址: 中国福建省晋江市安海前埔工业区  
ADD: Anhai Qianpu Industrial Zone, Jinjiang City Fujian Province China  
服务电话/Service Phone: 400-0922-789

邮编/Postcode: 362261

网址/Website: <http://www.jingongglobal.com>

邮箱/E-mail: [overseas@china-jingong.com](mailto:overseas@china-jingong.com)

The contents and specifications of this brochure are subject to change without prior notice.  
The pictures in this brochure may differ from the actual machines sold.